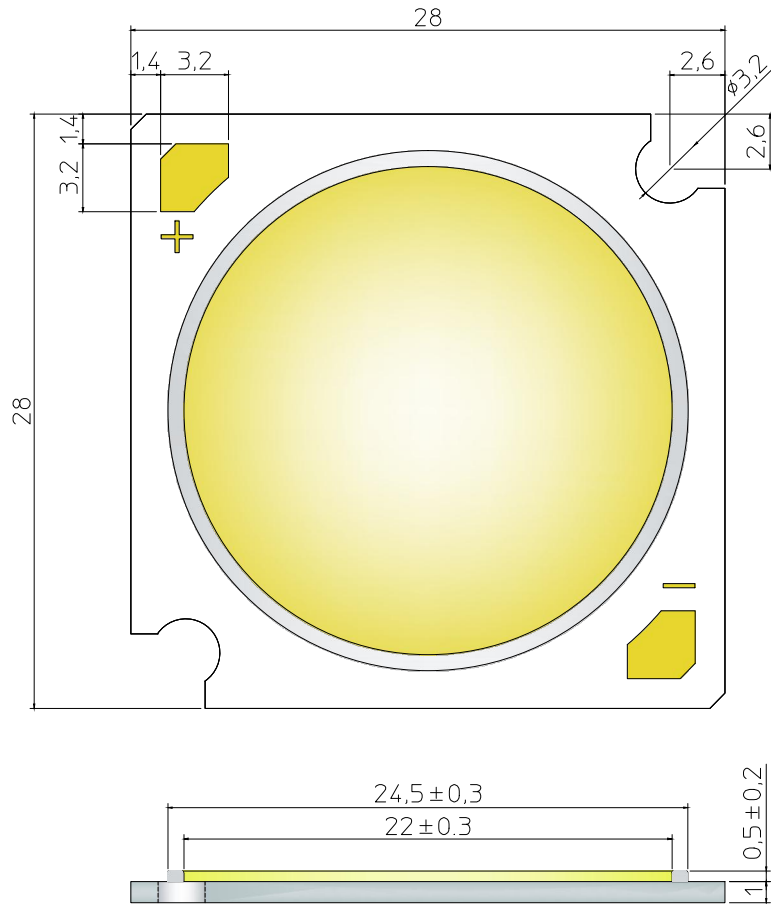


VIEW 'A' 1:1 (UNIT 완제품도)



REVISIONS				
ZONE	DESCRIPTION	DRAWING	CHECKED	APPROVED

SIGNATURES		MO/DA/YR	SAMSUNG ELECTRONICS	
DRAWING			2828 승인원도	
CHECKED				
APPROVED				
ALGLE ±1° CHAMFER 0.1 ~ 0.5 BREAK SHARP EDGE 0.3MAX. CORNER RAD 0.3 ~ 0.8		UNIT : mm 	DEPT PKG Developent	PART NO.
SCALE 1 / 1		WT	Kg	SHEET 1 OF 1